



# ELASTO-DECK 5001HT-UTS-UNDER TILE SYSTEM

## POLYURETHANE ELASTOMERIC COATING FOR WATERPROOFING TILES SET IN THIN- SET MORTAR

### TECHNICAL DATA SHEET

---

#### PRODUCT DESCRIPTION:

**Pacific Polymers® ELASTO-DECK 5001HT-UTS** is a Liquid-applied, single-component, moisture-cured, polyurethane waterproofing coating.

#### BASIC USES:

**ELASTO-DECK 5001HT-UTS** is widely used to waterproof concrete and plywood decks which are subsequently covered with outdoor carpeting or tile (over concrete or mortar float). The product is also recommended for all applications where petroleum hydrocarbon extended polyurethane would not be suitable.

May be used under thin-set mortar or mortar bed tile installations.

#### LIMITATIONS:

All materials shall be delivered to the jobsite in unopened containers clearly marked and labeled. Containers that have been opened must be used up within one or two days since it is a moisture-reactive material. It will start to set up when exposed to air. Since the product is moisture sensitive, it is possible a soft skin may develop in the container.

All surfaces must be completely free of foreign matter and primed with **ELASTO-POXY PRIMER (VOC or W.B.)**, where necessary.

**Metal/Metal Flashing:** Prime with **ELASTO-POXY PRIMER VOC**.

**COLORS:** Concrete Grey

**SIZE:** 5 gallon pails.

#### WARNING AND HAZARDS:

Before using the products, always refer to SDS for important warnings and safety information. Use only in areas with adequate ventilation. Avoid breathing vapors. Keep away from heat and flame. Avoid contact with eyes and skin. In the event of skin contact, remove immediately and wash with warm, soapy water. Wear suitable eye protection. Always wash hands before eating.

#### TYPICAL PROPERTIES (See Chart on Page 3)

#### INSTALLATION:

- **Surface Preparation:** All surfaces which are to be coated with **ELASTO-DECK 5001HT-UTS** system must be free of contamination such as curing compounds, concrete hardeners, bond breakers, paint, etc.
- All surfaces must be dry, having a maximum water content of 15%. Water-curing concrete is recommended instead of using concrete curing compounds. An adhesion test must be performed if the concrete is cured with a curing agent. Membrane type curing compounds must be removed prior to application of Elasto-Deck systems. Concrete surfaces should be cleaned by grinding or bead blasting.

- Except for non-moving shrinkage cracks and joints must be sealed with **PERMATHANE®7120 PU** a single component polyurethane sealant, manufactured by **IHOLCIM SOLUTIONS AND PRODUCTS US, LLC**.
- All surfaces, except for plywood in good condition, must be primed.
- For concrete substrates use **ELASTO-POXY PRIMER (VOC or W.B.)**
- **Metal/Metal Flashing:** Prime with **ELASTO-POXY PRIMER VOC** prior to application.
- All seams between plywood sheets and the transition from the metal flashing and the plywood deck must be reinforced by imbedding a strip of polyester fabric into wet **ELASTO-DECK 5001HT** or **PERMATHANE® SM7120 PU**, which is brushed evenly over the seam to a width of the tape plus additional inch overlapping the tape and a thickness of about 20 mils (0.5 mm) wet. Minimum 4-inch tape must be used (**Tie-Tex T272 Polyester Fabric**).
- At projections through deck coatings such as posts, vents, pipes, stanchions, railings and similar locations of potential slight movement, provide a 1/4" (0.64 cm) bead of **PERMATHANE®7120 PU**. Tool sealant to form a cove and allow to cure before over-coating.

#### APPLICATION:

- **ELASTO-DECK 5001HT** shall be applied at a rate of 60 square feet per gallon (1.47 m<sup>2</sup>/liter) per coat resulting in a 20 dry mil thickness (Per coat). The Elasto-Deck 5001HT system requires two base coats at this coverage, allowing for an overnight cure time (16-24 hours) between coats. A third coat of **Elasto-Deck 5001HT** must be applied at approximately 100 square feet per gallon; immediately broadcast an aggregate into the wet third coat to promote adhesion between the thin-set and the coating system. Aggregate must be broadcast to refusal. Then the excess swept off prior to application of thin set (mortar).

**ELASTO-DECK 5001HT** is applied by notched squeegee followed by back roll (3/4"-1" nap roller). **ELASTO-DECK 5001HT** can be sprayed. Airless spray equipment must have a minimum of 30 to 1 ratio.

Allow for a minimum 72 hour cure time after the final coat is applied before continuing with tile setting, carpet laying, or any other operations.

### TEMPERATURE CONSTRAINTS:

- Minimum application temperature is 40°F (4°C) and rising and more than 5°F above dew point.
- Contact Technical Service when substrates are over 90°F (32°C) or under 40°F (4°C).
- Avoid application when inclement weather is present or imminent.
- Do not apply to damp, wet, or contaminated surfaces.

### SHELF LIFE:

\*\* The shelf life for an unopened container stored at temperatures between 60°F (15.6°C) and 95°F (35°C) is 6 months from date of manufacture. Store out of direct sunlight in a cool, well-ventilated area. Avoid storing container directly on the floor or against an outside wall

### AVAILABILITY AND COST:

**ELASTO-DECK 5001HT** is supplied through building material dealers. These products are designed and manufactured to be installed by professional installers familiar with surface preparation and application procedures. All others should consult a professional installer; those who choose to install these products without professional assistance do so at their own risk.

### CLEAN UP:

Equipment and tools should be cleaned immediately after use with acetone or other exempt solvent.

### MAINTENANCE:

If **ELASTO-DECK 5001HT** is damaged, it can be repaired by cleaning the surface, priming with **ELASTO-POXY PRIMER VOC** and recoating with **ELASTO-DECK 5001HT**.  
(See Maintenance Manual)

### TECHNICAL SERVICE

Technical assistance can be obtained by contacting:

All of the latest updates to product data and specifications are available at [holcimpacpoly.com](http://holcimpacpoly.com). Since product data and specifications change, it is the user's responsibility to make certain the most current versions of product data and specifications are being used.

PRIOR TO USE OF THIS MATERIAL,  
READ ALL APPROPRIATE SAFETY DATA SHEETS

### PRODUCT WARRANTY:

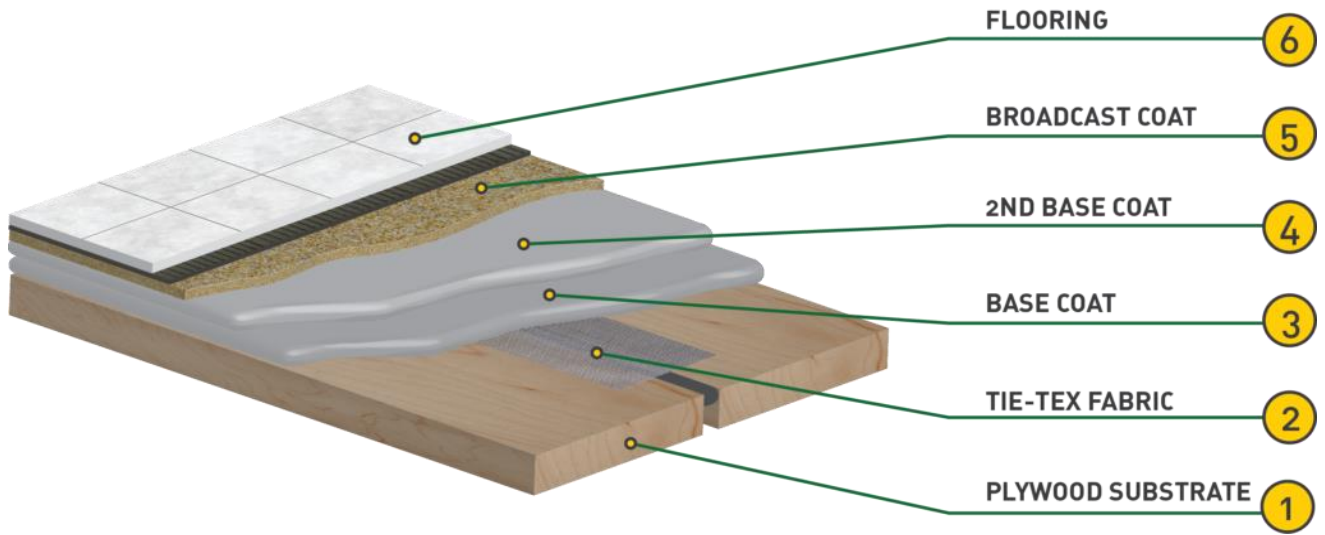
INSTALL AS DIRECTED ON PACIFIC POLYMERS® PRODUCT DATA SHEET. USER DETERMINES SUITABILITY FOR INTENDED USE AND ASSUMES ALL RISK AND LIABILITY. THIS PRODUCT IS SOLD "AS IS." EXCEPT AS REQUIRED BY LAW, THERE ARE NO WARRANTIES, EXPRESS OR IMPLIED, INCLUDING, WITHOUT LIMITATION, WARRANTIES OF MERCHANTABILITY AND FITNESS FOR A PARTICULAR PURPOSE. IF TERMS ARE NOT ACCEPTABLE, RETURN UNOPENED PRODUCT TO PLACE OF PURCHASE. DAMAGES IN EXCESS OF THE PURCHASE PRICE OF THESE PRODUCTS.

Complete technical information is available from  
Holcim Solutions and Products US, LLC

**TYPICAL PROPERTIES: ELASTO-DECK 5001HT**

PROPERTY	TEST METHOD	ELASTO-DECK 5001HT BASE COAT
Shore "A" Hardness:	ASTM D-2240	75 ± 5A
Ultimate Tensile Strength:	ASTM D-412	1000 P.S.I. ± 10%
Ultimate Elongation:	ASTM D-412	200%
Bond Strength on primed Concrete:	ASTM D-794	32 pli cohesive failure
Bond Strength on plywood	ASTM D-794	35 pli cohesive failure
Peel Strength on Plywood:	ASTM D-903	14 P.L.I. ± 10% (5.25 n/mm)
Tabor Abrasion:	ASTM D4060 mil DFT on 4"x4" metal CS17 wheel, 1000 rev, 1000 gram weight	N/A
Tear Strength (lb./in)	ASTM D-624	72
Weatherometer:	ASTM D-1499	N/A
Water Absorption	ASTM D570	< 2.85% by weight
Moisture Vapor Transmission	ASTM E-96	1.8 ± 0.4 perms
Weight per Gallon:		10.15 lbs. (4.60 kg)
Solid Content (%) Weight % Volume %	Calculated	82 ± 2 80 ± 2
Viscosity:	Brookfield Viscometer	50 ± 10 poises (Thixotropic)
Flash Point:		120°F (49°C)
V.O.C. (Minus exempt solvent) (Meets SCAQMD requirement)	Calculated	71 g/L
Shelf Life (when stored indoors at 77°F (25°C) in unopened containers)		6 months
Chemical Resistance	ASTM D 2299	N/A
Temperature Service Range		-50° F to +200° F (-45°C to +93.3°C)

**ELASTO-DECK 5001HT-UTS-PLYWOOD**



**ELASTO-DECK 5001HT-UTS-CONCRETE**

